

SociBot Technical Spec

[Download this page as printable .pdf](#)

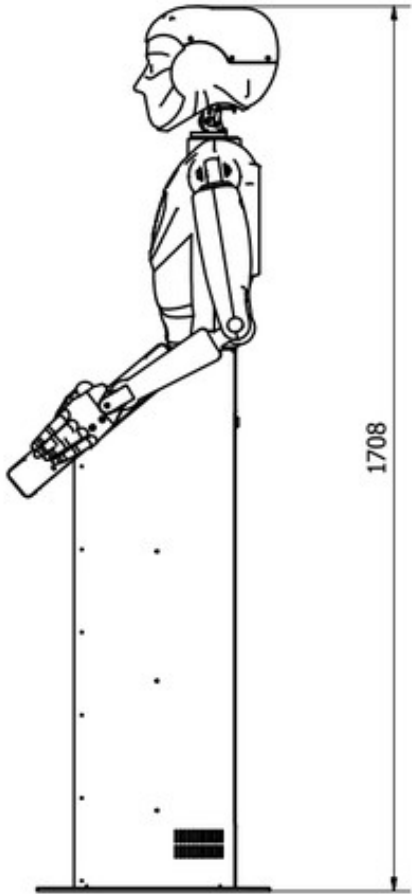
[SociBot >> SociBot At a Glance >> Technical Spec](#)

Introduction[[edit](#)]

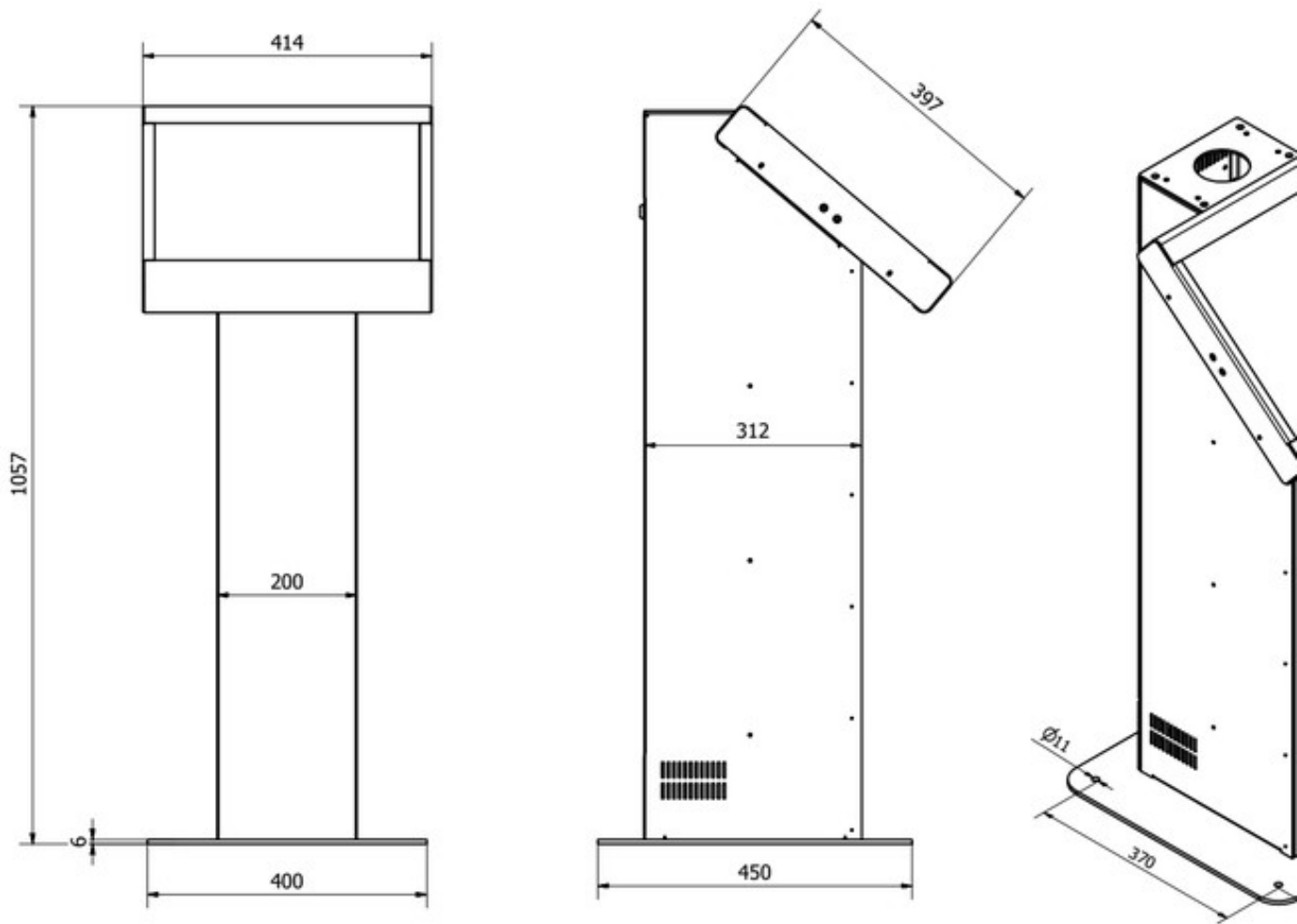
This page is aimed at potential customers and distributors who want an overview of SociBot's Technical Specifications

Specification[[edit](#)]

Robot Dimensions Including Kiosk	Metric	Imperial
Robot Weight	approx 42 kg	approx 93 lbs
Robot Height	1708 mm	5' 7 1/4"
Robot Width	569 mm	22 1/2"



SociBot Kiosk Overall Dimensions



SociBot Kiosk Plinth Dimensions

Mechanical Specification

- 3 x DC servo motor actuators for neck movement (roll/pitch/yaw).
- Torso fabrication: fibreglass
- Head fabrication: pressure moulded urethane
- Wear parts hard anodised
- Metallic silver paint finish

Electrical Specification

- Onboard single board computer (Intel NUC)
- RGB head webcam
- SociBot Kiosk only: Interactive touchscreen kiosk with 19" touchscreen panel.